

# 4'x 6' Collingwood Scalloped Picket Panel

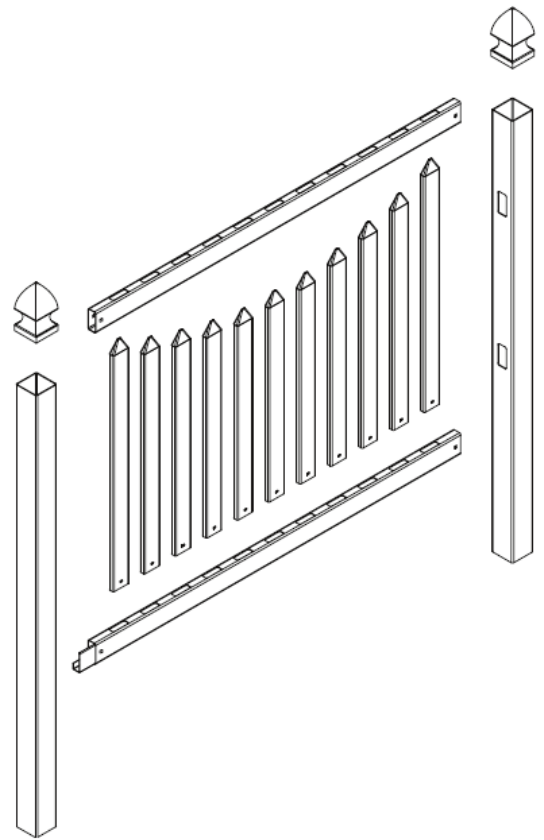
## Installation Tips

### Planning

- Prior to construction, check with your local regulatory agency for special code requirements in your area
- Contact your utility supplier to locate and mark underground lines.
- Sketch out the layout of your fence and calculate the number of panels, gates, posts and caps needed for your project. Adjust layout to accommodate as many full panels as possible. If you must use a partial panel, place in the furthest corner of the property.
- Careful planning and measuring of your fence project is essential, as moving posts after the concrete sets is extremely difficult.

### Digging Post Holes

- Dig post holes 10" to 12" in diameter and 36" to 42" deep (depending on local ordinance or expected frost depth in winter).
- Space post holes 72" on-center. (Inside post to post dimension is 68".) Use a string line to ensure all post holes are in line and verify spacing between holes. **Double-check all measurements!**



### Setting and Installing Posts and Panels

- Start in the corner. Measure to be sure you can install the finished panel to the post with approximately a 2" gap from the ground to the bottom of the panel.
- Insert a post into the hole. Level and adjust height as needed using gravel. **DO NOT** place posts permanently at this point. Use bracing and shims as needed. Slide the reinforced bottom rail into the pre-cut post, locking into place with the notched tabs. Place the next post in the ground, and slide the notched rail into the post.
- Make sure posts and bottom rail are level and 2" off of the ground. Fill holes with concrete. Mix thoroughly and follow the directions on the bag. Check to make sure posts and rails are still level. Complete this after every section is completed. Let concrete properly cure according to the manufacturer's recommendation before continuing your installation.
- Place one end of the top rail into the post, allowing one end to be free. Pay careful attention to the installation of the top rail! The holes on the top and bottom are different sizes. The larger holes must face down. Install pickets by sliding them through the top rail into the bottom rail. Longer pickets are on the outside and the shortest are in the middle. Lock top rail into place.
- Repeat process for all remaining panels. Refer to the gate installation instructions when installing gates.
- Install a post cap on each post using PVC cement or an exterior adhesive.

**Customer Service** 1-887-550-9971

[www.info@visionoutdoorproducts.com](mailto:www.info@visionoutdoorproducts.com)

The diagrams and instructions shown are for illustration purposes only and are not meant to replace a licensed professional. Any construction or use of the product must be in accordance with all local zoning and/or building codes. The consumer assumes all risks and liability associated with the construction or use of this product. The consumer or contractor should take all necessary steps to ensure the safety of everyone involved in the project, including, but not limited to, wearing the appropriate safety equipment. EXCEPT AS CONTAINED IN THE WRITTEN LIMITED WARRANTY, THE WARRANTOR DOES NOT PROVIDE ANY OTHER WARRANTY, EITHER EXPRESS OR IMPLIED, AND SHALL NOT BE LIABLE FOR ANY DAMAGES, INCLUDING CONSEQUENTIAL DAMAGES.